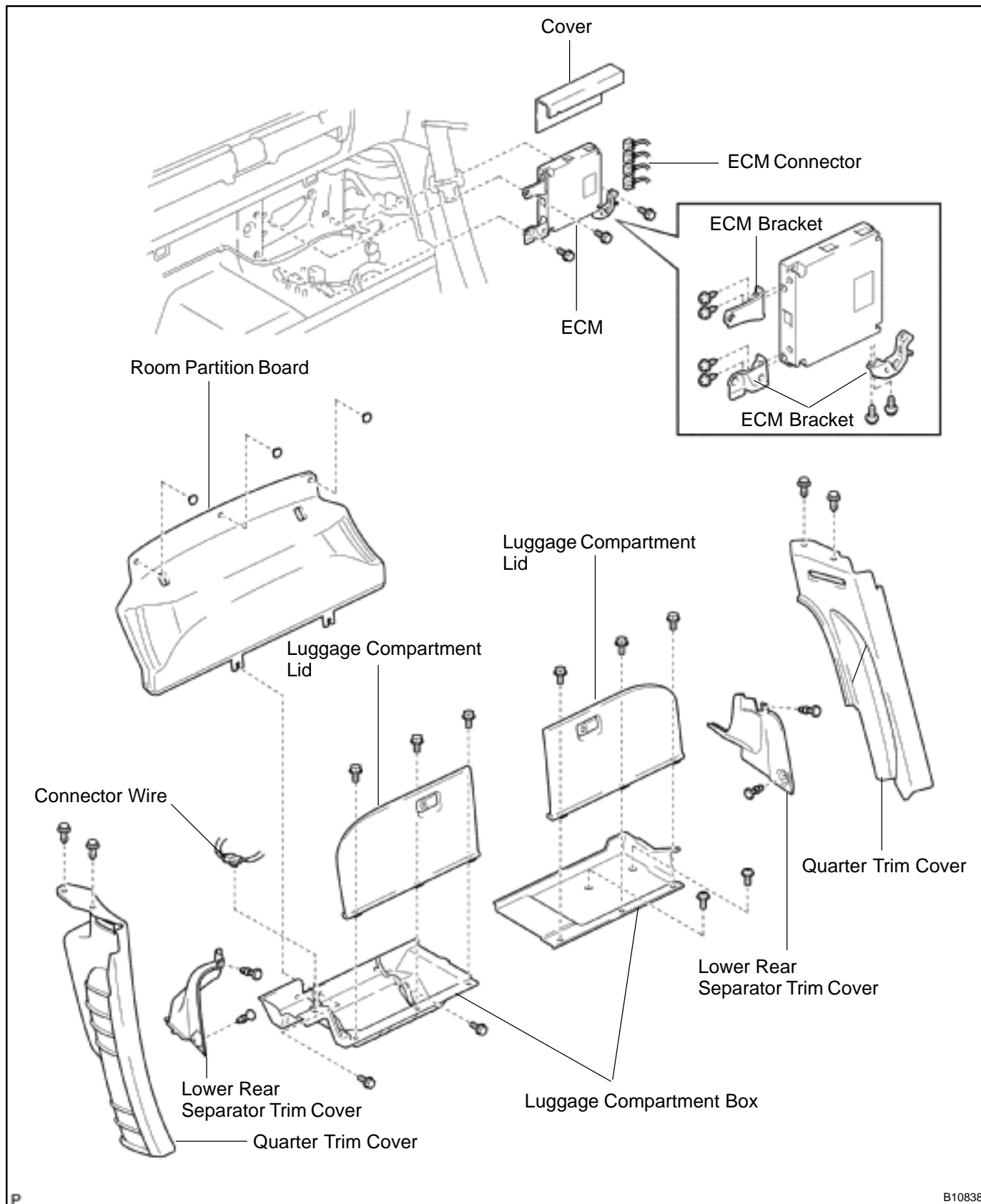


# ENGINE CONTROL MODULE (ECM) COMPONENTS

SF00F-03



P

B10838